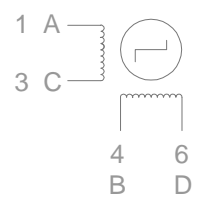
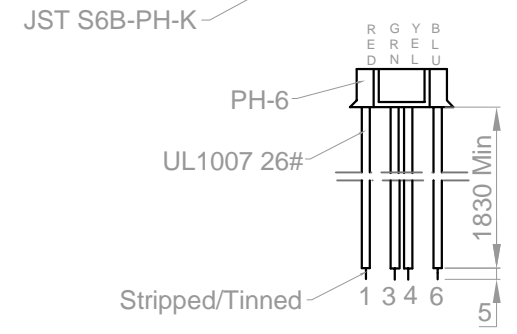
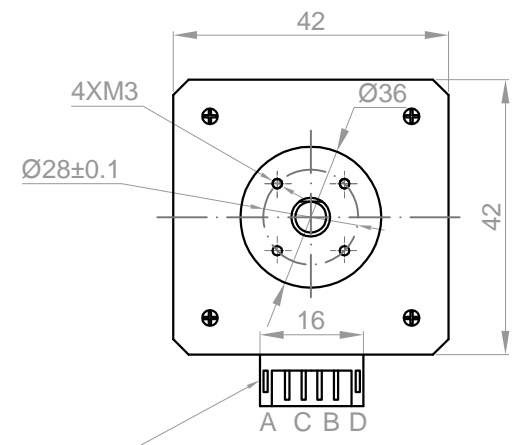
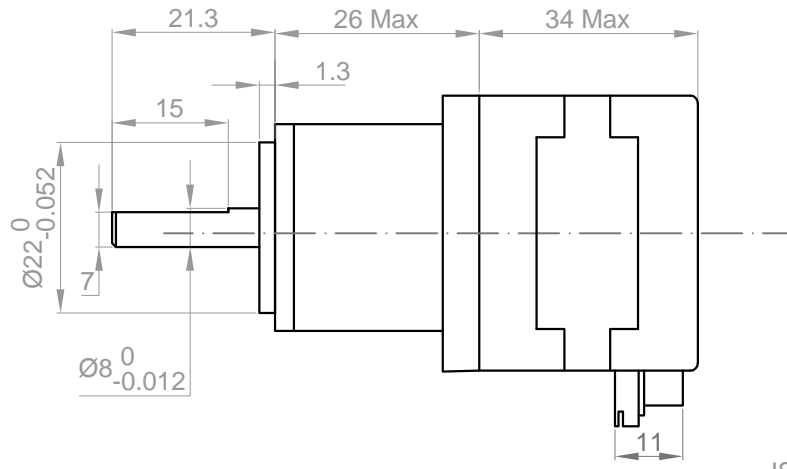


| Rev. | Description | Date |
|------|------------------------|------------|
| 00 | Release for production | 03/25/2014 |



| NO. | Item | Specification | NO. | Item | Specification |
|-----|----------------------|------------------|-----|-----------------------|-----------------|
| 1 | Step Angle | 1.8° | 7 | Insulation Class | Class B |
| 2 | Rated Voltage | 2.4 V | 8 | Holding Torque | 2.2 Kg.cm |
| 3 | Rated Current | 1.0 A | 9 | Insulation Resistance | 100 MΩ(500 VDC) |
| 4 | Resistance Per Phase | 2.4 Ω±10%/Phase | 10 | Gear Ratio | 5.18 : 1 |
| 5 | Inductance Per Phase | 3.5 mH±20%/Phase | | | |
| 6 | Number of Phase | 2 | | | |

| Drawn | Harry | 03/25/2014 | Unit: mm | |
|-----------|----------|------------|--|------------------|
| Checked | Lawrence | 03/25/2014 | Kysan Electronics www.kysanelectronics.com info@kysanelectronics.com | |
| Eng Appr. | | | | |
| Mfg Appr. | | | | |
| Q.A. | | | | |
| SKU | 1040229 | | Size :A4 | Weight(Kg):0.435 |
| | | | Scale 2:1 | |