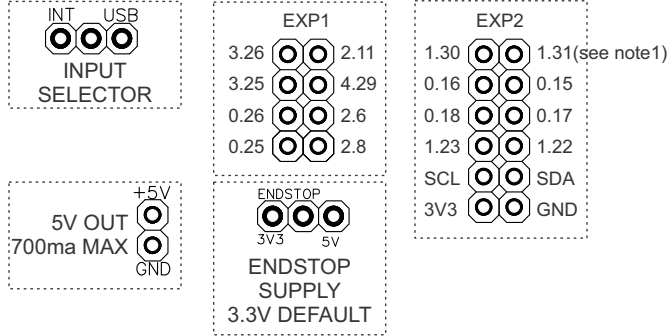
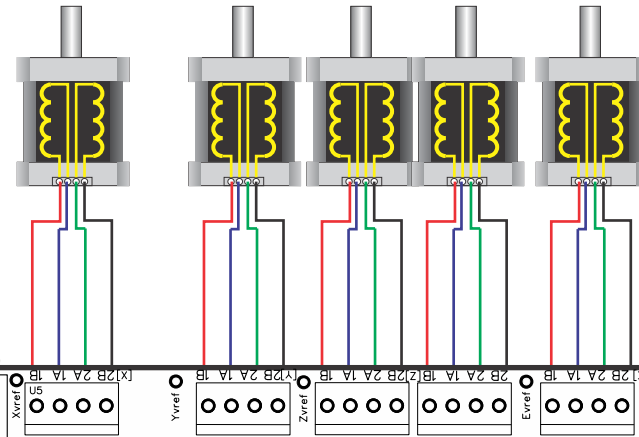


# AZTEEG X5 MINI 4-AXIS MOTION CONTROLLER WIRING DIAGRAM

## STEPPER MOTORS

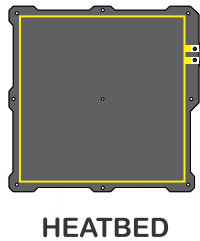
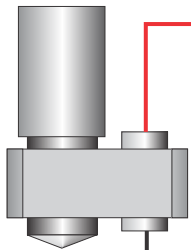
X[ALPHA] AXIS    Y[BETA] AXIS    Z[GAMMA] AXIS    EXTRUDER



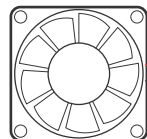
**POWER INPUT**  
PC POWER SUPPLY OR  
AC/DC SWITCHING PS  
12-30VDC

BLADE FUSE

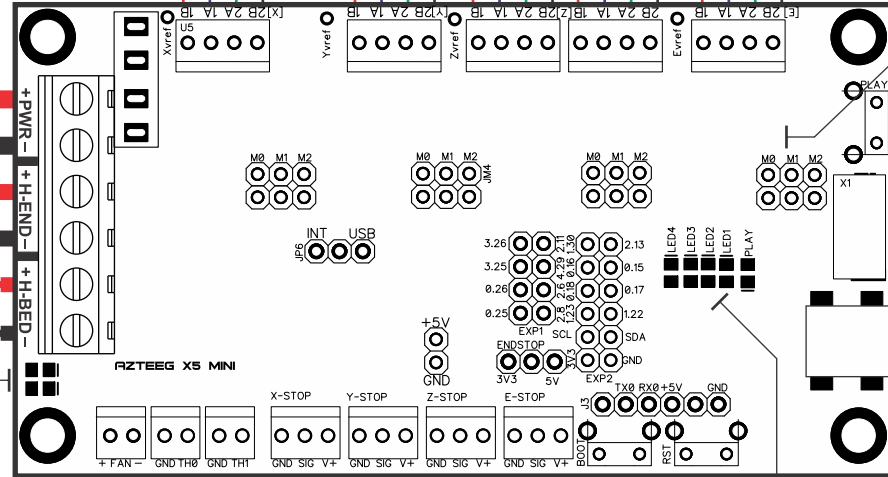
**EXTRUDER  
HEATER**



**HEATBED**



**LOW POWER  
FAN ONLY**



0.15in Ø  
#6-32 X 4

STEP SIZE  
SELECTOR

PLAY BUTTON

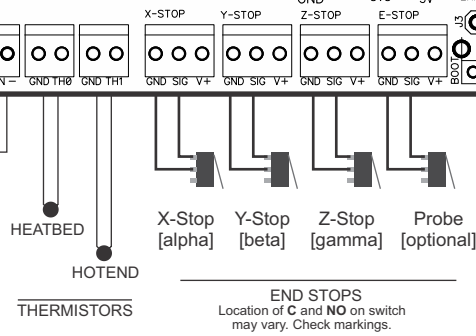


USB PORT  
MINI B

LED INDICATORS

RESET

HWBOOT



### Micro-stepping jumper settings

	1	1/2	1/4	1/8	1/16	1/32	1/32
M0	OFF	ON	OFF	ON	OFF	ON	ON
M1	OFF	OFF	ON	ON	OFF	OFF	ON
M2	OFF	OFF	OFF	OFF	ON	ON	ON

NOTES:  
1. Marked incorrectly on the PCB as 2.13

Hardware: V1.0  
Document: V1.0



# AZTEEG X5 MINI 4-AXIS MOTION CONTROLLER WIRING DIAGRAM

